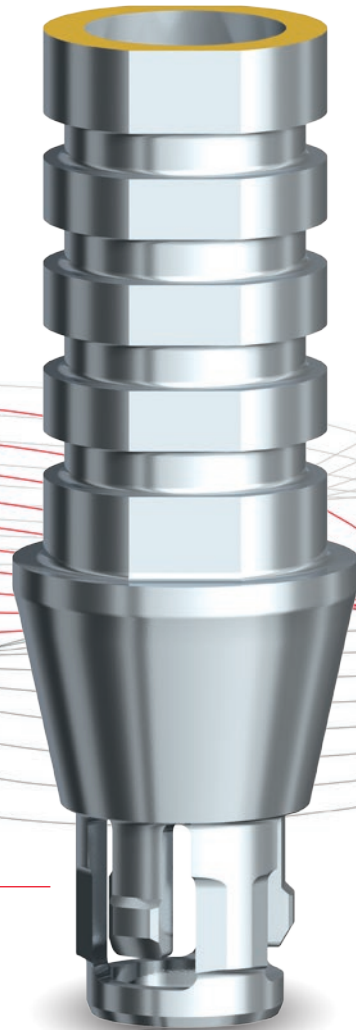
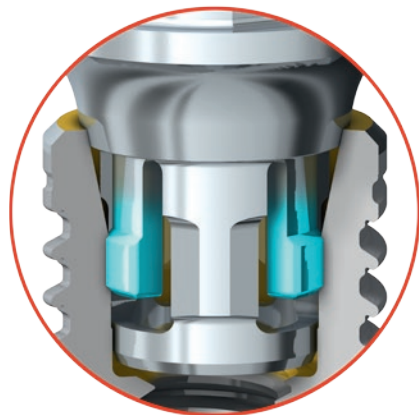












Temporary Snap Abutment for conical connection implants



Snap function
try-in without screws



New Temporary Snap Abutment

	Old article	New article	Product name
	36663	38760	Temporary Snap Abutment Engaging CC NP 1.5 mm
	36664	38761	Temporary Snap Abutment Engaging CC RP 1.5 mm
	37823	38762	Temporary Snap Abutment Engaging CC WP 1.5 mm
	n/a	38847	Temporary Snap Abutment Engaging CC NP 3 mm
	n/a	38848	Temporary Snap Abutment Engaging CC RP 3 mm
	37824	38849	Temporary Snap Abutment Engaging CC WP 3 mm
	36730	38855	Protection Analog / Drill Guide CC NP 5/pk
	36731	38856	Protection Analog / Drill Guide CC RP 5/pk
	37880	38857	Protection Analog / Drill Guide CC WP 5/pk
	n/a	38853	Apical Drill Temporary Snap Abutment



For the full assortment of Nobel Biocare products, see our current product catalog.

nobelbiocare.com/catalog



Order online

Order the complete range of our implants and prefabricated prosthetics 24 hours a day through the Nobel Biocare online store.

nobelbiocare.com/store



Order by phone

Call our customer service team, or contact your sales representative.



Peace of mind

The warranty covers all Nobel Biocare implants including prefabricated prosthetic components. For further information visit nobelbiocare.com/warranty